



LOCATOR Component Listing

The **Self-Aligning** feature of the LOCATOR attachment system allows a patient to easily seat their overdenture without the need for accurate alignment of the attachment components.

The unique **Dual Retention** innovation provides the LOCATOR attachment with greater retention surface area than ever available before with other attachments.

Durability tests have proven the LOCATOR's **incredible wear resistance** and long lasting performance for over 110,000 insertion cycles.

The LOCATOR Male pivots in its permanent metal denture housing for a genuine resilient connection of the prosthesis. The retentive nylon male remains in static contact with the female socket while its metal denture cap has a full range of rotational movement over the male. This design of the **pivoting LOCATOR Male** allows a resilient connection for the overdenture without any resulting loss of retention.

The LOCATOR attachment is a **supra-radicular design** that gives you the choice of a straight post, two angles (10 and 20 degrees) to accommodate divergent roots and a special Cast-to version. Plus seven different retentive males allow for your choice of regular retention (white), strong angle correction (green), light retention (pink), light angle correction (orange), extra-light retention (blue), light angle correction (red), and zero retention (grey) according to the needs of the patient. Count on PREAT Corporation for all your Locator Abutment and Attachment needs.



Locator Component Listing



9015 – LOCATOR MODEL – IMPLANT (external hex)
Full lower overdenture with two endosseous external hex implants and Locator implant attachments. All DEMO models are sold at our manufacturing costs.



9006 – LOCATOR MODEL – IMPLANT (internal hex)
Full lower overdenture with two endosseous internal hex implants and Locator implant attachments. All DEMO models are sold at our manufacturing costs.

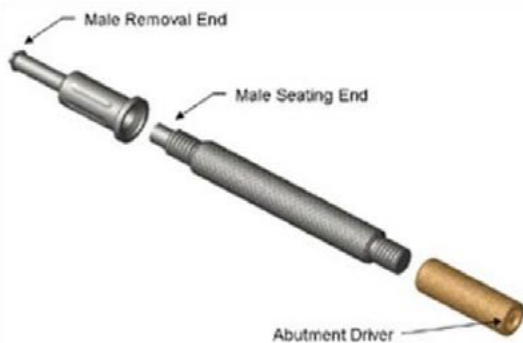


9014 – LOCATOR MODEL – ROOT
Full Lower Overdenture with Two Cuspids Roots with LOCATOR Root attachments. All DEMO models are sold at our manufacturing costs.

8393 – Locator Core Tool

This 3-in-1 tool contains:

- The Male Removal Tool
 - Male Seating Tool and
 - Gold-Plated Implant Abutment Driver
- This tool is required for placement procedure of all Locator Root Attachments and Locator Implant Abutments.

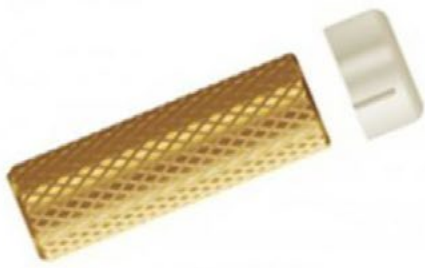


8397 – Locator Male Removal Tool

The Male Removal Tool is used to remove the nylon male from the metal denture cap. The sharp circular edge of the removal tool should be wedged tightly down into the very bottom of the plastic male so that it will catch the inside of the plastic insert and pull it at an angle out of the metal housing. Prior to use, loosen the tip a full 3 turns counter clockwise (you will see a visible gap).



To discard the nylon male from the tip of the Core Tool; point the tool down and away from you and tighten the Male Removal Tool clockwise back onto the Core Tool. This will activate the removal pin and dislodge the nylon male from the tip end.



8390 – LOCATOR Abutment Driver

The LOCATOR Abutment Driver is a special gold plated driver designed to engage the inside diameter of the Locator Abutment and thread it into the implant.

Please Note: A .050 (1.25mm) Hex Torque Wrench Driver Tip will fit into the backside of the LOCATOR Abutment Driver to help achieve the minimum seating force of 20N-cm.



8394 – LOCATOR Abutment Delivery Sleeve

The Locator Abutment Delivery Retaining Sleeve is designed for use with the #8390 driver/#8393 Core tool when taking an abutment to the mouth. Strongly reduces chance of abutment falling “out” of the driver tool.

The Abutment Holder Sleeves can be sterilized for reuse approximately 5 times before losing retention and needing to be replaced. Package of 4 and Package of 20.



4391 – LOCATOR TORQUE WRENCH

Tool kit is used for tightening LOCATOR abutments to the recommended torque of minimum 20 Newton Centimeters.

Kit contains: 20 Ncm Torque Wrench, LOCATOR Driver Insert (15mm) (8926), and Thumb Knob Wrench. All components are stainless steel and very easy to maintain and sterilize by either autoclave or chemclave.



9020 – LOCATOR TORQUE WRENCH

Tool kit is used for tightening LOCATOR abutments to 30 Newton Centimeters.

Kit contains: 30Ncm Torque Wrench, 15mm Locator Insert Driver and a Thumb Knob Wrench. All components are stainless steel and very easy to maintain and sterilize by either autoclave or chemclave



8260 – LOCATOR 35NCM TORQUE WRENCH INSERT DRIVER (15MM)

For use with Straumann torque wrenches.



8280 – LOCATOR 35NCM TORQUE WRENCH INSERT DRIVER (21MM)

For use with Straumann torque wrenches.



8913 – LOCATOR INSERT DRIVER (LATCH-TYPE CONNECTION)

23mm total length. This driver goes direct from a latch-type connection torque wrench to the LOCATOR Implant Abutment and allows direct torque tightening of the LOCATOR Implant Abutments. Compatibles: 3i Implant Innovations, Nobel BioCare, and Thommen Medical.



8914 – LOCATOR INSERT DRIVER (LATCH-TYPE CONNECTION)

29mm total length. This driver goes direct from a latch-type connection torque wrench to the LOCATOR Implant Abutment and allows direct torque tightening of the LOCATOR Implant Abutments. Compatibles: 3i Implant Innovations, Nobel BioCare, and Thommen Medical.



8926 – LOCATOR TORQUE WRENCH DRIVER (SQUARE DRIVE CONNECTION)

15mm total length. This driver goes direct from a square drive connection torque wrench to the LOCATOR Implant Abutment and allows direct torque (minimum 20 Ncm) tightening of the LOCATOR Implant Abutments.

Compatibles: Zest Anchors, Astra Tech, Bio-Horizon, Lifecore, Innova, and Zimmer.



8927 – LOCATOR TORQUE WRENCH DRIVER (SQUARE DRIVE CONNECTION)

21mm total length. This driver goes direct from a latch drive connection torque wrench to the LOCATOR Implant Abutment and allows direct torque (minimum 20 Ncm) tightening of the LOCATOR Implant Abutments.

Compatibles: 3i Implant Innovations, Steri-Oss, and Thommen Medical.



4609 – .050 (1.25MM) HEX DRIVER FOR LATCH CONNECTION

.050 Hex Driver (Latch Drive Connection) for the Torque Wrench Kit.



4936 – .050 (1.25MM) HEX INSERT DRIVER FOR TORQUE WRENCH

.050 Hex Driver (Square Drive Connection) for the Torque Wrench Kit.



8924 – Locator Pilot Drill

6mm x 1.8mm Diameter with Plastic Depth Reference Ring. For use with 8520, 8521, 8522, and 8528 Locator females
Also Order: Locator Spotface Diamond Bur (8922)



8922 – Locator Spotface Diamond Bur

Countersink drill creates the minimal cementation surface possible on the root. For use with 8520, 8521, 8522, and 8528 Locator females

Also Order: Locator Pilot Drill (8924)



9102 – 1.7mm Bar Drill (2.0mm Thread)

1.7mm Bar Drill (2.0mm Thread) indicated for use with the LOCATOR Bar Female (8589). Also order: 2.0mm Bar Tap (9104)



9103 – Locator 1.8mm Bar Drill (2-56 Thread)

1.8mm Bar Drill (2-56Thread) indicated for use with the LOCATOR Bar Female (8587).

Also order: 2-56 Bar Tap (2-56 Thread)(9105)



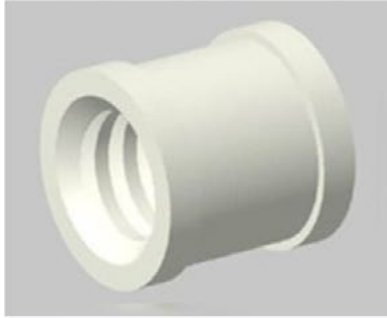
9104 – 2.0mm Bar Tap

2.0mm Bar Tap (2.0mm Thread) indicated for use with the LOCATOR Bar Female (8589) and 1.7mm Bar Drill.



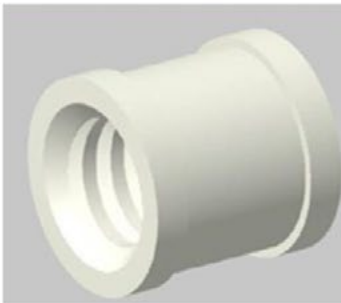
9105 – 2-56 Bar Tap (2-56 Thread)

2-56 Bar Tap indicated for use with the LOCATOR Bar Female (8587)(2-56 Thread) and 1.8mm Bar Drill (9103).



8014 – Threaded Castable Sleeve (2.0MM)

2.0mm Delrin Castable Threaded Insert (10 pack) makes it even easier to create a threaded site in an implant bar for accepting the threaded LOCATOR Bar Female (8589). Also Order: LOCATOR Bar Female (8589), 2.0mm Bar Tap (9104) and Drill & Tap Holder (8016)



8013 – Threaded Castable Sleeve (2-56 THREAD)

2.0mm Delrin Castable Threaded Insert (10 pack) makes it even easier to create a threaded site in an implant bar for accepting the threaded LOCATOR Bar Female (8587). Also Order: LOCATOR Bar Female (8587), 2-56mm Bar Tap (9105) and Drill & Tap Holder (8016)



9107 – Locator Paralleling Mandrel for Bar Female

The LOCATOR Paralleling Mandrel is indicated for all Laser Bar Females (8588 & 8590) and is used in a surveyor to place the Laser Bar Female into position.



8517 – Locator Parallel Post (4 pack)

LDPE (Black), Locator Parallel Post may be used as a handle when seating female and to visualize parallel alignment of multiple attachments.



8016 – Drill and Tap Holder

Made to fit into the handpiece of a milling unit in the dental laboratory, the tool has set screws for holding the LOCATOR Bar Drill and then the LOCATOR Bar Tap in place while performing an exact parallel preparation (means less chance of breaking a tap).



1747 – Locator Retrofit Kit (2) for Worn ERA Root Attachments

Includes 2 LOCATOR® Retrofit Females, 2 Parallel Posts, and 2 Weep Hole Alignment Pins. Please order Locator males separately. New Locator female and male only requires an additional 0.32mm of inter-occlusal space!



8520 – Locator 0° Degree Female (2 pack)

Extra-Radicular Design. Stainless Steel with TiN coating. Female root attachment extends above the root plane 1.5mm. Diameter 4.0mm with contact face 3.75mm and post extension 6.0mm x 1.8mm. Post may be shortened in length to 3.0mm if desired.

- Width of root surface must equal or exceed 4.0mm.
- Save 10% and order 8520-10 (5 packs of 2)
- Metal content, 316L Stainless Steel: C 0.030 (max), Mn 2.00 (max), P 0.045 (max), S 0.030 (max), Si 1.00 (max), Cr 16-18% , Ni 10-14%, Mo 2-3%, N 0.100 (max).
- TiN Coating (Titanium Nitride): Titanium/Argon/Nitrogen 99% pure



8521 – Locator 10° Degree Female (2 pack)

Extra-Radicular Design. Root Angled Correction. Stainless Steel with TiN coating. Diameter 4.0mm with contact face 3.75mm and post extension 6.0mm x 1.8mm. Post may be shortened in length to 3.0mm if desired.

- Width of root surface must equal or exceed 4.0mm.
- Save 10% and order 8521-10 (5 packs of 2)
- Metal content, 316L Stainless Steel: C 0.030 (max), Mn 2.00 (max), P 0.045 (max), S 0.030 (max), Si 1.00 (max), Cr 16-18% , Ni 10-14%, Mo 2-3%, N 0.100 (max).
- TiN Coating (Titanium Nitride): Titanium/Argon/Nitrogen 99% pure



8522 – Locator 20° Degree Female (2 pack)

Extra-Radicular Design. Root Angled Correction. Stainless Steel with TiN coating. Diameter 4.0mm with contact face 3.75mm and post extension 6.0mm x 1.8mm. Post may be shortened in length to 3.0mm if desired.

- Width of root surface must equal or exceed 4.0mm.
- Save 10% and order 8522-10 (5 packs of 2)
- Metal content, 316L Stainless Steel: C 0.030 (max), Mn 2.00 (max), P 0.045 (max), S 0.030 (max), Si 1.00 (max), Cr 16-18% , Ni 10-14%, Mo 2-3%, N 0.100 (max).
- TiN Coating (Titanium Nitride): Titanium/Argon/Nitrogen 99% pure



8528 – Locator Cast-to Female (2 pack)

Extra-Radicular Design. Stainless Steel with 3.0mm x 1.8mm Ø post extension, assembled with parallel post. Please refer to Locator Root Attachment System Technique for instructions. Also available in Locator Coping Kit (8051/8050).

IMPORTANT NOTE: Do not allow the casting temperature to raise above 2000 F which will melt the stainless steel female. Do not use a bur to remove investment, sandblasting with aluminum oxide, or an acid pickling solution, can damage the internal socket of the female attachment. Do NOT shorten the threaded retention post.

- 8922 and 8924 drills must be used.
- Save 10% and order 8528-10 (5 packs of 2)
- Metal content, 316L Stainless Steel: C 0.030 (max), Mn 2.00 (max), P 0.045 (max), S 0.030 (max), Si 1.00 (max), Cr 16-18% , Ni 10-14%, Mo 2-3%, N 0.100 (max).



8586 – Locator Cast-to Bar Female (2 Pack)

Stainless Steel. Indicated for casting-to a LOCATOR Bar Female into a gold alloy bar.

IMPORTANT NOTE: Do not allow the casting temperature to raise above 2000 F which will melt the stainless steel female. Do not use

a bur to remove investment, sandblasting with aluminum oxide, or an acid pickling solution, can damage the internal socket of the female attachment

- Save 10% and order 8586-10 (5 packs of 2)
- Metal content, 316L Stainless Steel: C 0.030 (max), Mn 2.00 (max), P 0.045 (max), S 0.030 (max), Si 1.00 (max), Cr 16-18% , Ni 10-14%, Mo 2-3%, N 0.100 (max).
- Also order: LOCATOR Paralleling Mandrel for Bar Female (9107).



8587 – Locator Bar Female (2-56 Thread) (2 Pack)

- Titanium alloy with TiN coating.
- LOCATOR Bar Female designed in a special thread size to replace worn out TSB Ball Attachments. The only requirement is a minimum

bar width of 4mm to upgrade with a LOCATOR.

- Also order: 1.8mm Bar Drill (2-56 Thread)(9103) and 2-56 Bar Tap(2-56 Thread)(9105)
- Save 10% and order 8587-10 (5 packs of 2)



8588 – Locator Laser Bar Female, Titanium (2 Pack)

- Titanium alloy with TiN coating. Indicated for use with milled titanium bars.
- Also order: Paralleling Mandrel (9107) and extra Block-Out Spacers (8514)

- Save 10% and order 8588-10 (5 packs of 2)



8589 – Locator Bar Female (2.0mm Thread) (2 Pack)

- Titanium alloy with TiN coating.
- For total retrievability you can simply drill, tap, and thread the new LOCATOR Bar Female into your completed implant bar.
- Also Order: 1.7mm Bar Drill (2.0mm Thread)(9102) and 2.0mm Bar Tap (2.0mm Thread)(9104). The 1.7mm Bar Drill and a 2.0mm Bar Tap are used for creating the threaded site into either a titanium bar or cast alloy bar.
- Save 10% and order 8589-10 (5 packs of 2)



8590 – Locator Laser Bar Female, Stainless Steel (2 Pack)

- Stainless steel and indicated for laser welding to a cast gold alloy bar.
- Also order: LOCATOR Paralleling Mandrel for Bar Female (9107) and extra Block-Out Spacers (8514).
- Save 10% and order 8590-10 (5 packs of 2)



8516 – LOCATOR FEMALE ANALOG (5MM DIAMETER) (4 PACK)

Aluminum. Locator Root Analog. Also used with Straumann and wide platform implant systems.

Also Order: Locator Impression Coping (8505)
Save 10% and order 8516-20 (5 packs of 4)



8530 – LOCATOR FEMALE ANALOG (4MM DIAMETER) (4 PACK)

Aluminum. Locator Female Analog (4mm) for regular and narrow platform implant systems.

Also Order: Locator Impression Coping (8505)
Save 10% and order 8530-20 (5 packs of 4)



8505 – LOCATOR IMPRESSION COPING (4 PACK)

- Aluminum Housing with Black Locator LDPE Male (6.1mm height). The Locator Impression Coping is designed with minimum retention to be picked up with the impression material in a tray.
- For Reline Impression with a denture use Locator Denture Cap with Black Processing Male for lower profile space requirement.
- Also Order: Locator 5mm Diameter Analog (8516) or Locator 4mm Diameter Analog (8530).
- Save 10% and order 8505-20 (5 packs of 4)



8510 – LOCATOR DENTURE CAP WITH PROCESSING MALE (4 PACK)

- Titanium Denture Cap with Black Processing Male
- Save 10% and order 8510-10



8028 – LOCATOR BAR PROCESSING PACKAGE (2 PACK)

- Includes: Denture Cap with Yellow Bar Processing Male, White Nylon Male (5lbs), Pink Medium Retention Nylon Male (3lbs), Blue Light Retention Male (1.5lbs), and Block-Out Spacer (4).
- Save 10% and order 8028-10 (5 packs of 2)



8540 – LOCATOR EXTENDED RANGE MALE PROCESSING PACKAGE (2 PACK) TI

Includes: Titanium Denture Cap with Black Processing Male, Red Male (0.5-1.0lbs), Orange Male (2.0lbs), Green Retention Male (3.5-4.0lbs), and Block-Out Spacer.

Save 10% and order 8540-10 (5 packs of 2)



8519 – LOCATOR MALE PROCESSING PACKAGE (2 PACK) TI
Includes: Titanium Denture Cap with Black Processing Male, White Nylon Male (5lbs), Pink Medium Retention Nylon Male (3lbs), Blue Light Retention Male (1.5lbs), and Block-Out Spacer.

Save 10% and order 8519-10 (5 packs of 2)



8550 – LOCATOR MALE PROCESSING PACKAGE (2 PACK) SS
Includes: Stainless Steel Denture Cap with Black Processing Male, White Nylon Male (5lbs), Pink Medium Retention Nylon Male (3lbs), Blue Light Retention Male (1.5lbs), and Block-Out Spacer.

Designed for laser welding to cast frameworks

Save 10% and order 8550-10 (5 packs of 2)



8559 – LOCATOR REPLACEMENT MALE PURPLE

- PURPLE (4 PACK) 8lbs
- Extra Strong Retention Replacement Purple Nylon Male (8lbs) used with LOCATOR Male Denture Cap.



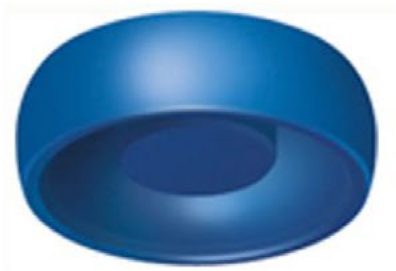
8524 – LOCATOR REPLACEMENT MALE WHITE

- WHITE (4 PACK) 5lbs
- Strong Retention Replacement White Nylon Male (5lbs) used with LOCATOR Male Denture Cap.
- Save 10% and order 8524-20 (5 packs of 4)



8527 – LOCATOR REPLACEMENT MALE PINK

- PINK (4 PACK) 3lbs
- Medium Retention Pink Nylon Replacement Male (3lbs) used with LOCATOR Male Denture Cap.
- Save 10% and order 8527-20 (5 packs of 4)



8529 – LOCATOR REPLACEMENT MALE BLUE

- BLUE (4 PACK) 1.5lbs
- Light Retention Blue Nylon Replacement Male (1.5lbs) used with LOCATOR Male Denture Cap.
- Save 10% and order 8529-20 (5 packs of 4)



8547 – Locator Replacement Male Extended Range Green

- GREEN (4 PACK) 3.5-4.0lbs
- The Extended Range Replacement Male standard (green = 3.5-4lbs) can accommodate divergent abutments up to 20° (40° between multiple abutments)
- Save 10% and order 8547-20 (5 packs of 4)



8915 – LOCATOR REPLACEMENT MALE EXTENDED RANGE ORANGE

- ORANGE (4 PACK) 2.0LBS
- The Extended Range Replacement Male light retention (orange = 2lbs) can accommodate divergent abutments up to 20° (40° between multiple abutments)
- Save 10% and order 8915-20 (5 packs of 4)



8548 – Locator Replacement Male Extended Range Red

- RED (4 PACK) 0.5LBS
- The Extended Range Replacement Male extra light (red = 0.5lbs) can accommodate divergent abutments up to 20° (40° between multiple abutments)
- Save 10% and order 8548-20 (5 packs of 4)



8558 – Locator Replacement Male Zero Gray

- GRAY(4 PACK) 0 LBS
- The Extended Range Replacement Male ZERO can accommodate divergent abutments up to 20° (40° between multiple abutments)
- Save 10% and order 8558-20 (5 packs of 4)

8515 – Locator Black Processing Male (4 Pack)

- Processing Black LDPE Male to be used with the Locator Denture Cap (8519) or Locator Impression Coping (8505) during relines, impressions, and direct processing of males
- 1-1.5 lbs of retention, but these processing males do not provide any of the resiliency of the final Locator males or last very long in the mouth.
- Save 10% and order 8515-20 (5 packs of 4)

8026 – Locator Bar Yellow Processing Male (4 Pack)

- Processing Yellow LDPE Male to be used with the Locator Denture Cap (8519) or Locator Impression Coping (8505) during relines, impressions, and direct processing of Locator Attachments on BARS.
- 1-1.5 lbs of retention, but these processing males do not provide any of the resiliency of the final Locator males or last very long in the mouth
- Save 10% and order 8026-20 (5 packs of 4)

8569 – Locator Processing Spacer (4 Pack)

- Processing Male to be used by Laboratory when processing to create space in denture for chairside pickup.
- Using the processing males eliminates the need for the dentist to relieve the denture when direct pickup of the males is indicated.
- 6.35mm diameter, 3.3mm height

Save 10% and order 8569-20 (5 packs of 4)

8514 – Locator Block Out Spacer (20 Pack)

White Block-Out Spacer is placed over the Locator Root or Implant Abutment and is used to block out the area immediately surrounding the abutment.

For more information, contact Preat at 1-800-232-7732 or visit preat.com